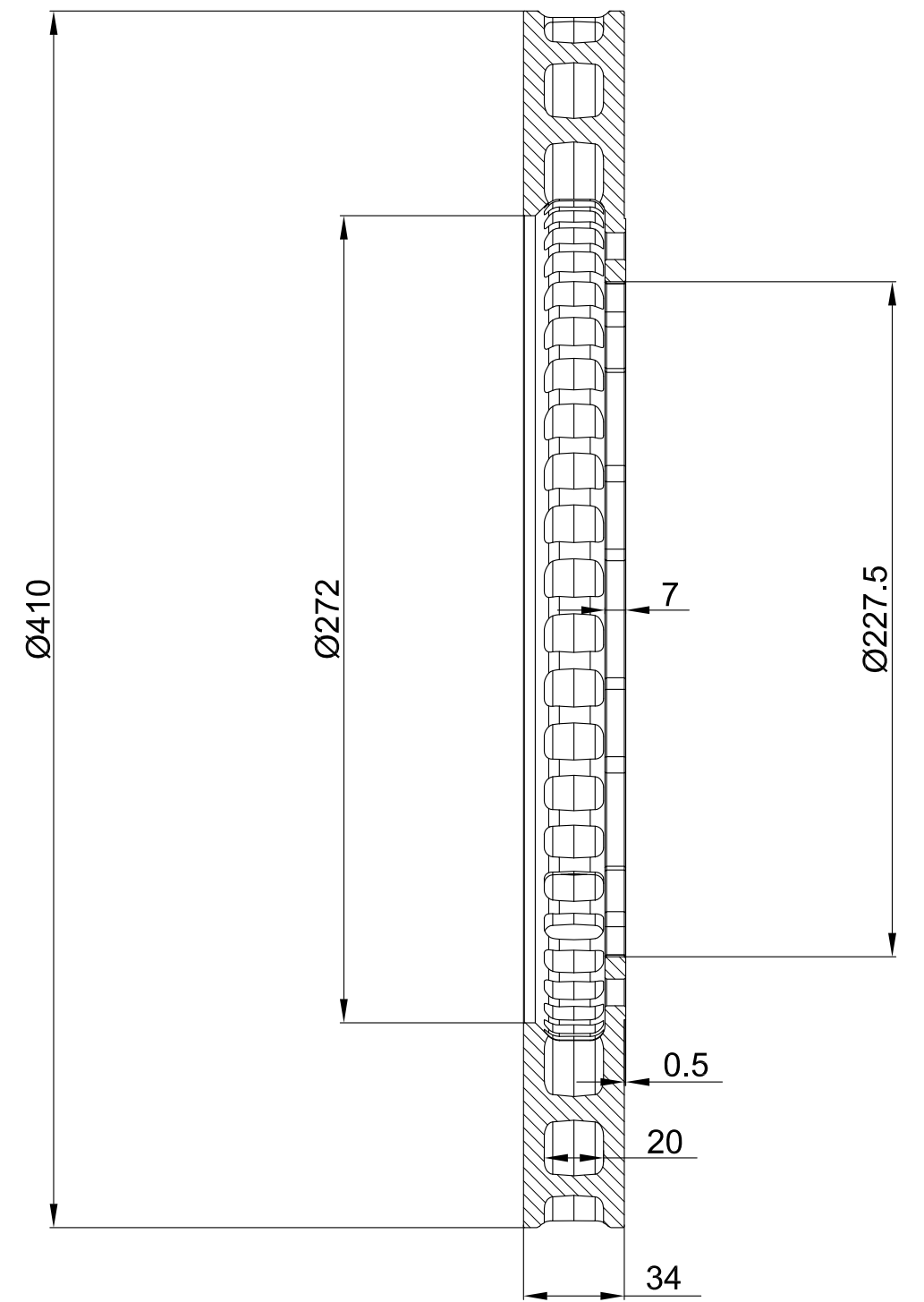
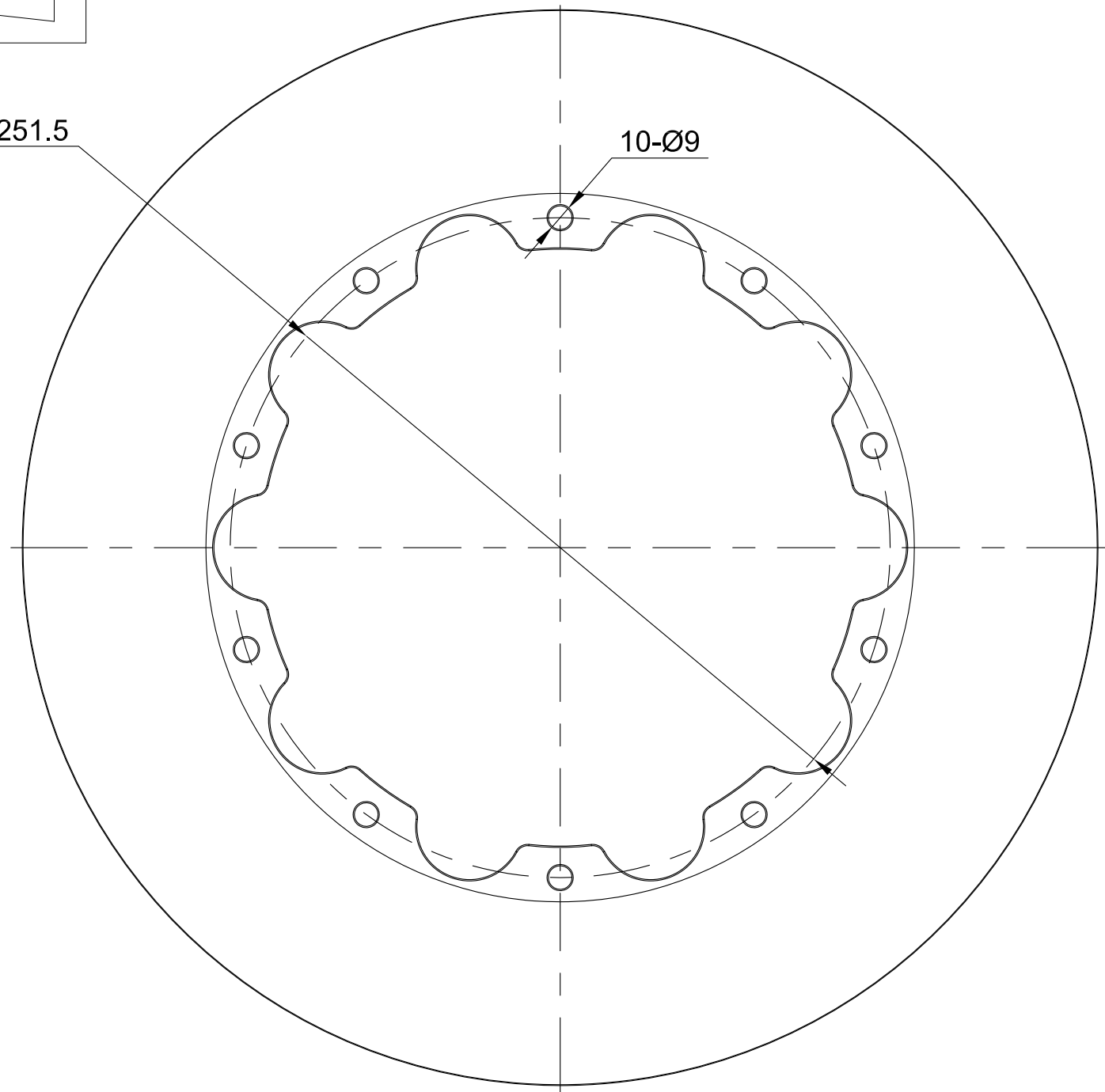


Ø251.5

10-Ø9



PROPRIETARY AND CONFIDENTIAL
 THE INFORMATION CONTAINED IN THIS DRAWING IS THE SOLE PROPERTY OF PARAGON PERFORMANCE PRODUCTS INC. ANY REPRODUCTION IN PART OR AS A WHOLE WITHOUT THE WRITTEN PERMISSION OF PARAGON PERFORMANCE PRODUCTS INC. IS PROHIBITED.

| | | | | | |
|--|-------------|--------------------------------------|-----------|---------|------------|
| | | UNLESS OTHERWISE SPECIFIED: | | NAME | DATE |
| | | DIMENSIONS ARE IN MM | DRAWN | John T. | 03-05-2020 |
| | | TOLERANCES: | CHECKED | | |
| | | FRACTIONAL ± | ENG APPR. | | |
| | | ANGULAR: MACH ± BEND ± | MFG APPR. | | |
| | | TWO PLACE DECIMAL ± | Q.A. | | |
| | | THREE PLACE DECIMAL ± | COMMENTS: | | |
| | | INTERPRET GEOMETRIC TOLERANCING PER: | | | |
| | | MATERIAL | | | |
| | | CM-250 Alloy Cast Iron | | | |
| | | FINISH | | | |
| | | Natural | | | |
| | NEXT ASSY | USED ON | | | |
| | APPLICATION | DO NOT SCALE DRAWING | | | |

Paragon

TITLE:
 410x272x34 10x9 PCD251.5

| | | |
|----------|----------|----------|
| SIZE | DWG. NO. | REV |
| A | | 1 |

| | | |
|------------|---------|--------------|
| SCALE: 1:1 | WEIGHT: | SHEET 1 OF 1 |
|------------|---------|--------------|