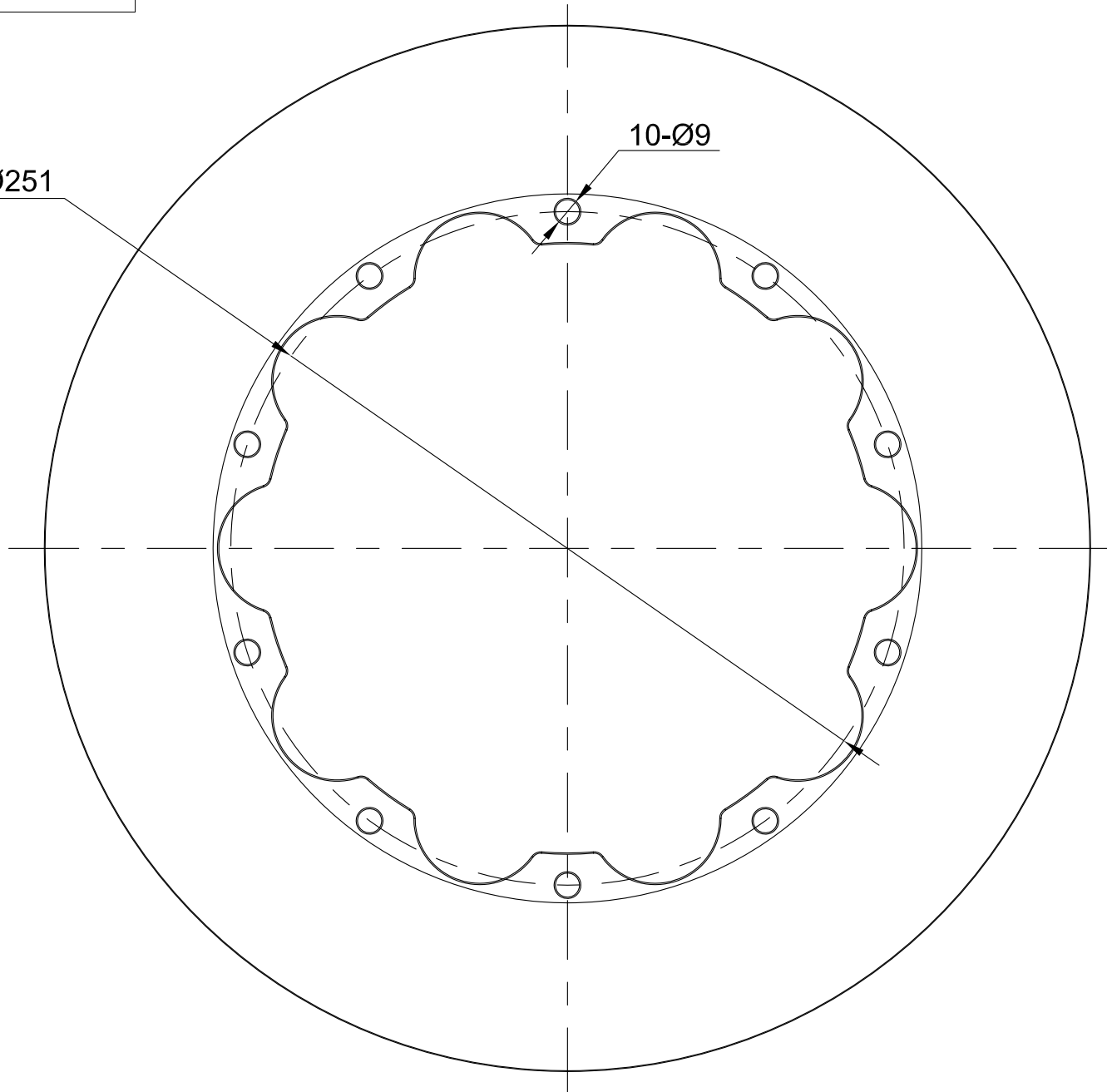


Ø251

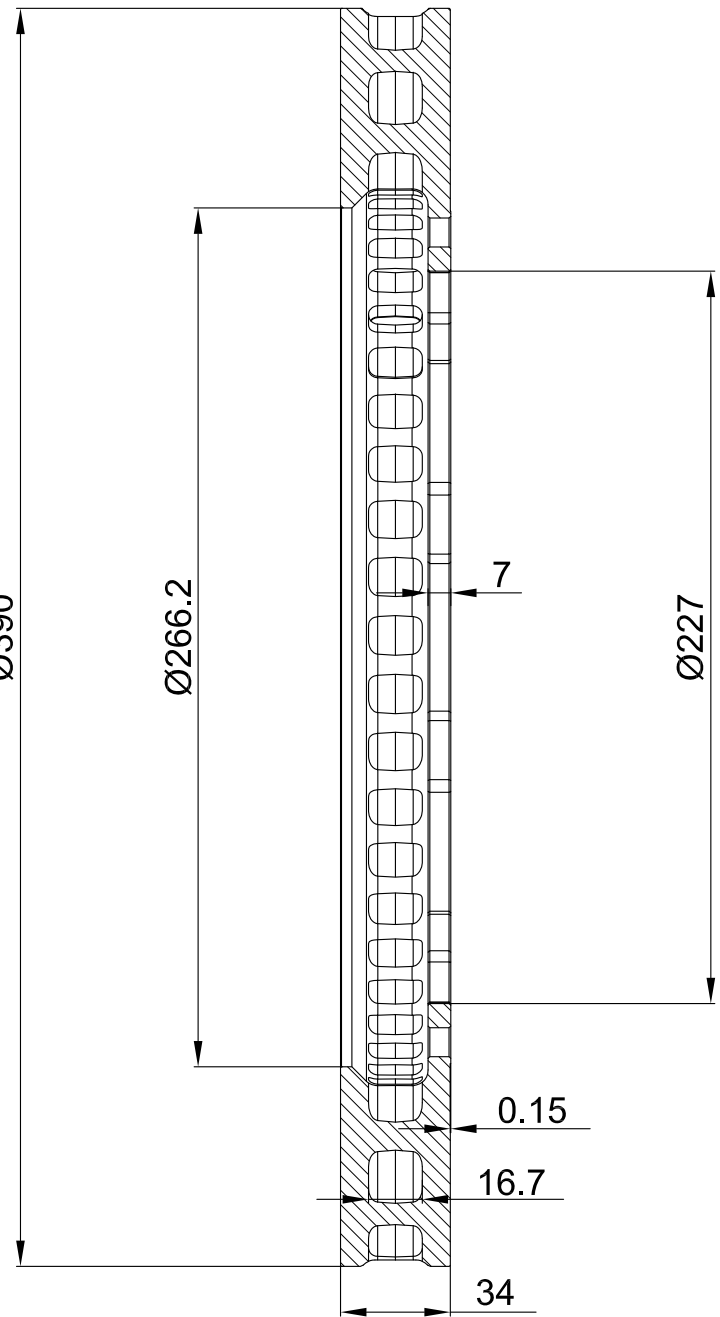
10-Ø9



Ø390

Ø266.2

Ø227



0.15

16.7

34

7

PROPRIETARY AND CONFIDENTIAL
 THE INFORMATION CONTAINED IN THIS
 DRAWING IS THE SOLE PROPERTY OF
 PARAGON PERFORMANCE PRODUCTS INC.
 ANY REPRODUCTION IN PART OR AS A
 WHOLE WITHOUT THE WRITTEN PERMISSION
 OF PARAGON PERFORMANCE PRODUCTS
 INC. IS PROHIBITED.

		UNLESS OTHERWISE SPECIFIED:		NAME	DATE
		DIMENSIONS ARE IN MM	DRAWN	John T.	08-27-2019
		TOLERANCES:	CHECKED		
		FRACTIONAL ±	ENG APPR.		
		ANGULAR: MACH ± BEND ±	MFG APPR.		
		TWO PLACE DECIMAL ±	Q.A.		
		THREE PLACE DECIMAL ±	COMMENTS:		
		INTERPRET GEOMETRIC TOLERANCING PER:			
		MATERIAL			
		CM-250 Alloy Cast Iron			
		FINISH			
		Natural			
NEXT ASSY	USED ON				
APPLICATION		DO NOT SCALE DRAWING			

Paragon

TITLE:
 390x266.2x34 10x9 PCD251

SIZE	DWG. NO.	REV
A		1

SCALE: 1:1	WEIGHT:	SHEET 1 OF 1
------------	---------	--------------