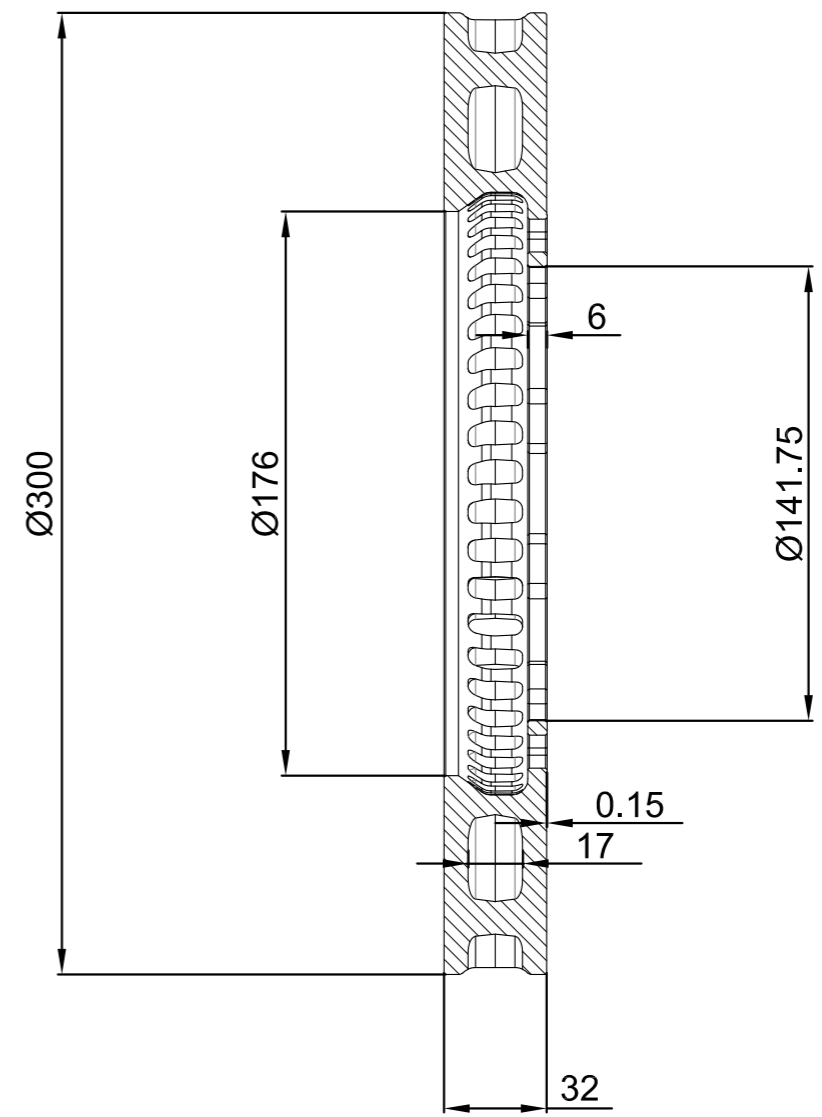
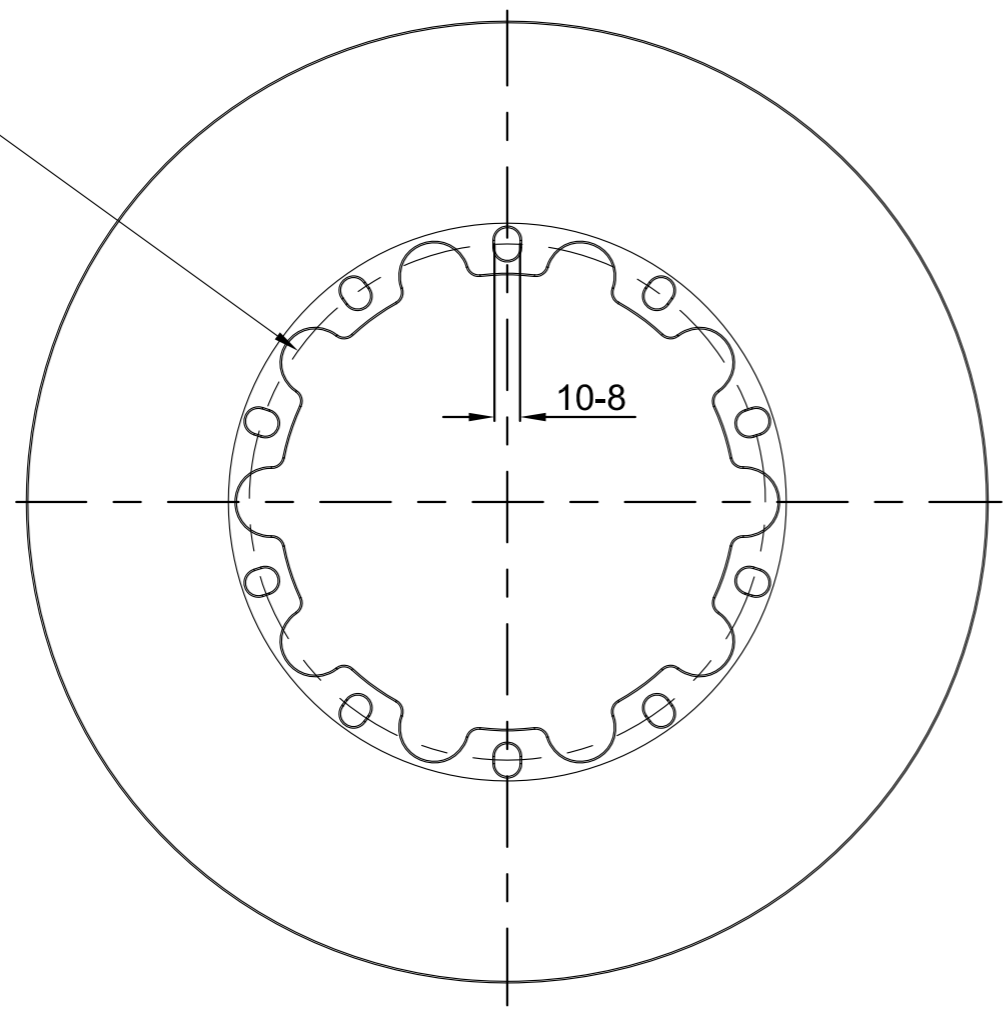


Ø161



PROPRIETARY AND CONFIDENTIAL
 THE INFORMATION CONTAINED IN THIS DRAWING IS THE SOLE PROPERTY OF PARAGON PERFORMANCE PRODUCTS INC. ANY REPRODUCTION IN PART OR AS A WHOLE WITHOUT THE WRITTEN PERMISSION OF PARAGON PERFORMANCE PRODUCTS INC. IS PROHIBITED.

		UNLESS OTHERWISE SPECIFIED:		NAME	DATE
		DIMENSIONS ARE IN MM	DRAWN	John T.	07-09-2018
		TOLERANCES:	CHECKED		
		FRACTIONAL ±	ENG APPR.		
		ANGULAR: MACH ± BEND ±	MFG APPR.		
		TWO PLACE DECIMAL ±	Q.A.		
		THREE PLACE DECIMAL ±	COMMENTS:		
		INTERPRET GEOMETRIC TOLERANCING PER:			
		MATERIAL			
		CM-250 Alloy Cast Iron			
		FINISH			
		Natural			
NEXT ASSY	USED ON				
APPLICATION		DO NOT SCALE DRAWING			

Paragon

TITLE:
 300x176x32 10x8 PCD161

SIZE	DWG. NO.	REV
A		1

SCALE: 1:1 WEIGHT: SHEET 1 OF 1